



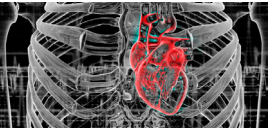
RT150

**CONTRAST MEDIA INJECTOR
DEDICATED TO ANGIOGRAPHY & CARDIOLOGY**

APOLLO RT Technology
Service People

CE

RT150 CONTRAST MEDIA INJECTOR DEDICATED TO ANGIOGRAPHY & CARDIOLOGY



Ergonomic

- Low gravity center provides stability
- Large casters with breaks for easy mobility and placement
- Long extension arm allows positioning flexibility

Versatile

- Single and repeat injections, test shot, infusion mode

Safe

- Real time pressure graph
- Gyro sensor helps minimizing air injection risks
- Innovative mechanical stop
- Color warning messages
- Head display (with flipping data) repeats major injection parameters
- Printed Fluid Dots on syringe barrel help air detection

Convenient

- Large LCD color touch screen
- User friendly interface
- Simple and easy to operate
- Built in Heat Maintainer for increased reliability

Powerful

- Can store 100 injection protocols
- Result screen can show the last 100 injections, including real time pressure graph

Innovative

- Exclusive Variable Flow rate (optional) for specific cardiac protocols, through additional remote hand controller

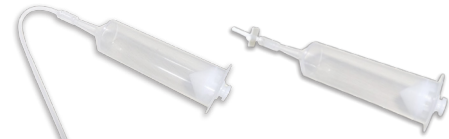


Technical Specifications

Below are the data under room temperature.

Injector head

Flow Rate	0.1~40ml/s
Syringe Heater	37°C ± 2°C
Syringe Size	150ml
Load Speed (Forward/Reverse)	
Forward/Reverse	2.5ml/s
Fast Forward/Reverse	8.0ml/s
Extension Cable	15m



Syringe set with J-tube

Syringe set with spike

Weight

Total Weight	79kg
Injector Head	8.8kg
Console	2.0kg
Extension Arm	3.9kg
Trolley	64.3kg

Power requirement

Rated Voltage	115/230VAC 50/60Hz
Rated Power	370VA

Cord length

Power Cable	5m
Hand Switch Cable	2m (5m coiled cable as optional)
Foot Switch Cable	8m
Interface Cable	15m

Injector

Injection mode	Single phase, Dual phase, Three-phase, Four-phase
Rampup Time	0.0~9.9s Increment of 0.1s
Interval Time	0~300S
Scan Delay	0~300S
X-ray Delay	0~300S
Pressure limit	1200PSI Increment of 10PSI, 100PSI Min.
Infusion injection	
Flow Rate	1 ~60ml/min Increment of 1ml/s
Pressure	200 PSI Non adjustable
Volume	150ml Increment of 1ml
Testshot injection	
Flow Rate	0.5~3ml/s, Increment of 1ml/s
Pressure	200 PSI Non adjustable
Volume	1~5ml Increment of 1ml
Variable Flow Rate Injection(Optional)	
Flow Rate	0.1~8ml/s Increment of 0.1ml/s
Pressure	100~1000 PSI
Volume	1~10ml

Memories Rate

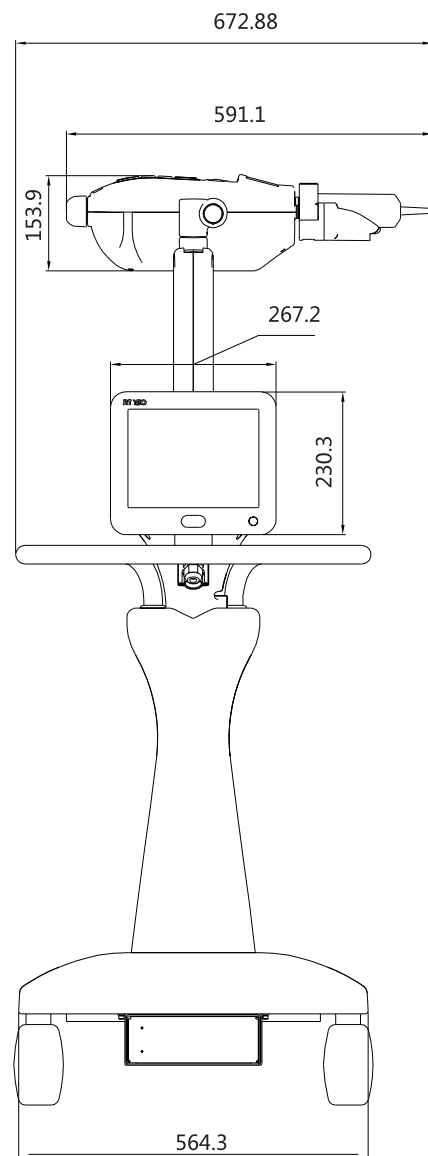
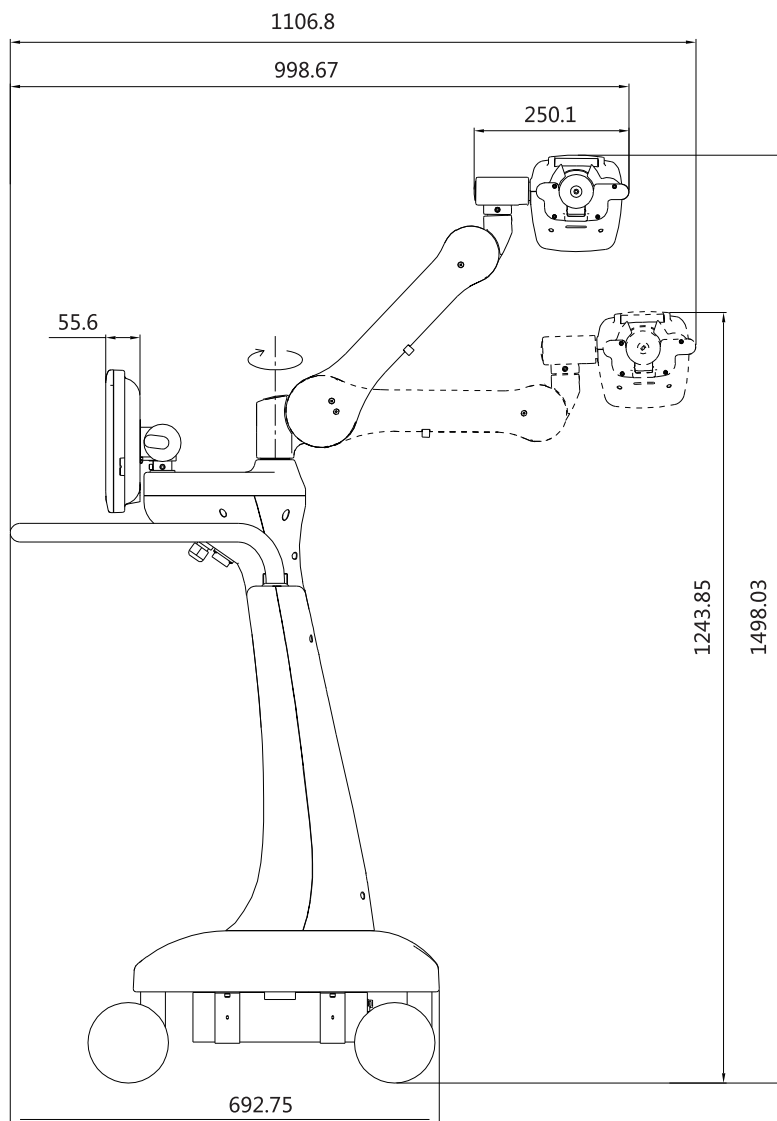
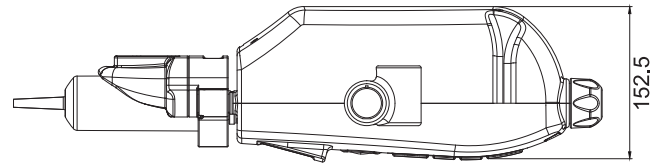
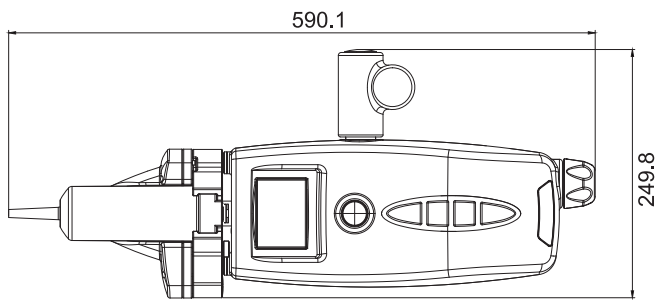
Saved Protocols	100
History Records	100, also display real time pressure graph

Interfacing

Universal Interfacing module is a standard supply, with full connectivity to all OEM's.

- APOSTAR reserve the right of product improvement and design modification without any prior notice.

Injector Trolley & Head dimensions



APOLLO RT Co., Ltd.

Unit 1101, 11/F, Tower 1, Cheung Sha Wan Plaza,
 833 Cheung Sha Wan Road, Lai Chi Kok, Kowloon, Hong Kong
 Tel: +852 2781 3481
 E-mail: Contact@apollo-rt.com

Manufactured for APOLLO RT by

APOSTAR Medical (Shanghai) Limited
 Suit B, 2/F, Building 3, No.1151, Lianxi Rd., Pudong, Shanghai